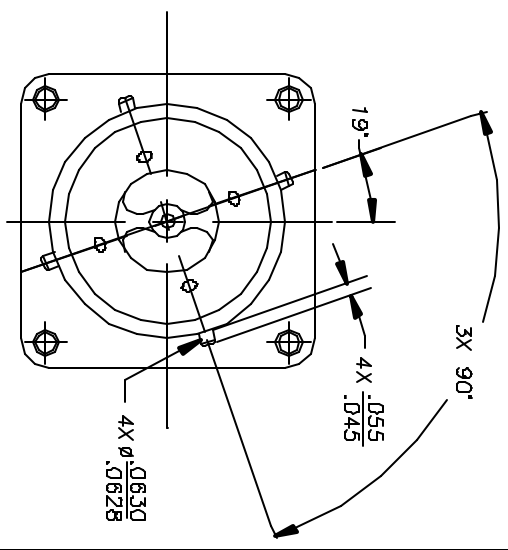
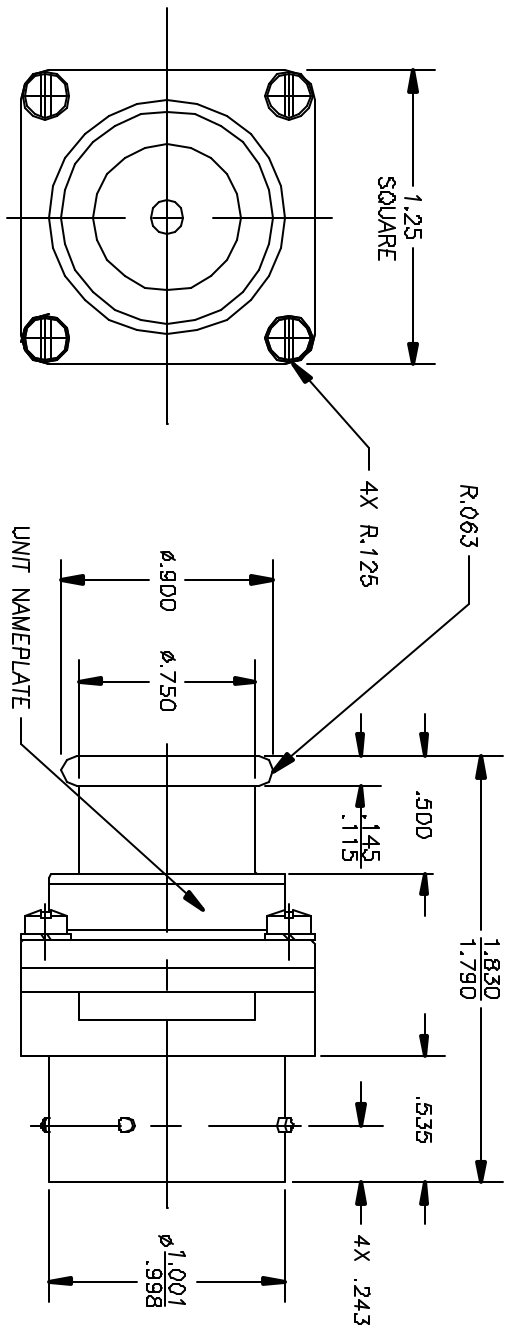


THIS DOCUMENT IS THE PROPERTY OF SELECT CONTROLS INCORPORATED AND IS CONVEYED WITH THE EXPRESS UNDERSTANDING THAT IT AND THE INFORMATION CONTAINED IN IT ARE NOT TO BE USED, DISCLOSED, OR REPRODUCED IN ANY MANNER OR IN PART, FOR ANY PURPOSE WITHOUT THE EXPRESS WRITTEN CONSENT OF SELECT CONTROLS INCORPORATED; AND THAT NO RIGHT IS GRANTED TO DISCLOSE OR REPRODUCE ANY INFORMATION CONTAINED IN SAID DOCUMENT.

9000-1-000
SHT.1 OF 2

REVISIONS		BY	CHK	ENG
ALT	DESCRIPTION			



NOTES:

REV	DATE	PART NO.	DESCRIPTION	REMARKS
			BILL OF MATERIAL	
TITLE: ASSEMBLY, VEST VALVE				
MATERIAL: _____				
FINISH: _____				
DO NOT SCALE DRAWING REMOVE BURRS, BREAK SHARP EDGES TOLERANCES UNLESS SPECIFIED MACH FINISH 125/				
REV	DATE	BY	CHK	ENG

S Select Controls Inc.
45-3 KNICKERBOCKER AVE.
BOHEMIA, N.Y. 11716

12/21/08
9000-1-000
SHEET 1 OF 2