

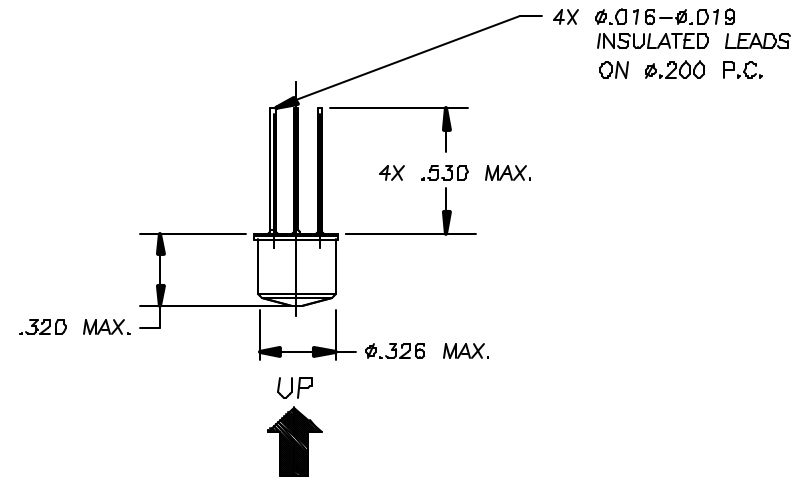
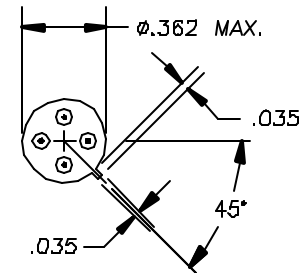
THIS DOCUMENT IS THE PROPERTY OF SELECT CONTROLS INCORPORATED AND IS CONVEYED WITH THE EXPRESS CONDITION THAT IT AND THE INFORMATION CONTAINED IN IT ARE NOT TO BE USED, DISCLOSED, OR REPRODUCED IN WHOLE OR IN PART, FOR ANY PURPOSE WITHOUT THE EXPRESS WRITTEN CONSENT OF SELECT CONTROLS INCORPORATED; AND THAT NO RIGHT IS GRANTED TO DISCLOSE OR SO USE ANY INFORMATION CONTAINED IN SAID DOCUMENT.


5018-1-000

| REVISIONS | | | | |
|-----------|-------------|----|-----|-----|
| ALT | DESCRIPTION | BY | CHK | ENG |
| | | | | |

NOTES:

- SWITCH: PLANAR TILT, OMNIDIRECTIONAL, NORMALLY OPEN, AUTOMATICALLY RESETTABLE
- WEIGHT: 5 GRAMS MAXIMUM
- CONTACTS: SPST, NORMALLY OPEN
- CONTACT RESISTANCE: 10 KOHMS MAX. OVER THE OPERATIONAL LIFE
- CONTACT RATING: 5 VOLTS MAX., 1.0 MILLIAMP MAX., 0.01 VA MAX.
- OPERATING ANGLE: 15° +/- 5° FROM VERTICAL
- BREAK ANGLE: <=10° FROM VERTICAL
- MAKE ANGLE: >=20° FROM VERTICAL
- OPERATING TEMPERATURE RANGE: 5°C TO 40°C
- STORAGE TEMPERATURE RANGE: -20°C TO 60°C
- OPERATING / STORAGE RELATIVE HUMIDITY RANGE OF 15% TO 95%, NON-CONDENSING
- OPERATIONAL LIFE: >=1 MILLION CYCLES
- SWITCH SEAL: HERMETIC
- LEAD STRENGTH: 3 LBS. MINIMUM AXIAL PULL
- FINISH: GRADE "A" NICKEL(SWITCH SHELL)



| ITEM | NO. | QTY | PART NO. | DESCRIPTION | REMARKS |
|---|-----|------------------|----------|--|------------------------|
| BILL OF MATERIAL | | | | | |
| TITLE | | | |  45-3 KNICKERBOCKER AVE. BOHEMIA, N.Y. 11716 | |
| MATERIAL | | N/A | | SCALE: 2:1 | DATE: 2/20/00 |
| FINISH | | N/A | | WEIGHT: NOTED | DRAWING NO. 5018-1-000 |
| DO NOT SCALE DRAWING REMOVE BURRS, BREAK SHARP EDGES TOLERANCES UNLESS SPECIFIED: FINISH: ±1/64" ANGLE: ±0.20° MACH FINISH: 125/ DEC: .00 ±.010 RFS DEC: .000 ±.005 | | NO. REQ'D N/A | | APPROVED: AHN. 2/20/00 DATE: SHEET 1 OF 1 | |