

THIS DOCUMENT IS THE PROPERTY OF SELECT CONTROLS INCORPORATED AND IS CONVEYED WITH THE EXPRESS CONDITION THAT IT AND THE INFORMATION CONTAINED IN IT ARE NOT TO BE USED, DISCLOSED, OR REPRODUCED IN WHOLE OR IN PART, FOR ANY PURPOSE WITHOUT THE EXPRESS WRITTEN CONSENT OF SELECT CONTROLS INCORPORATED; AND THAT NO RIGHT IS GRANTED TO DISCLOSE OR SO USE ANY INFORMATION CONTAINED IN SAID DOCUMENT.

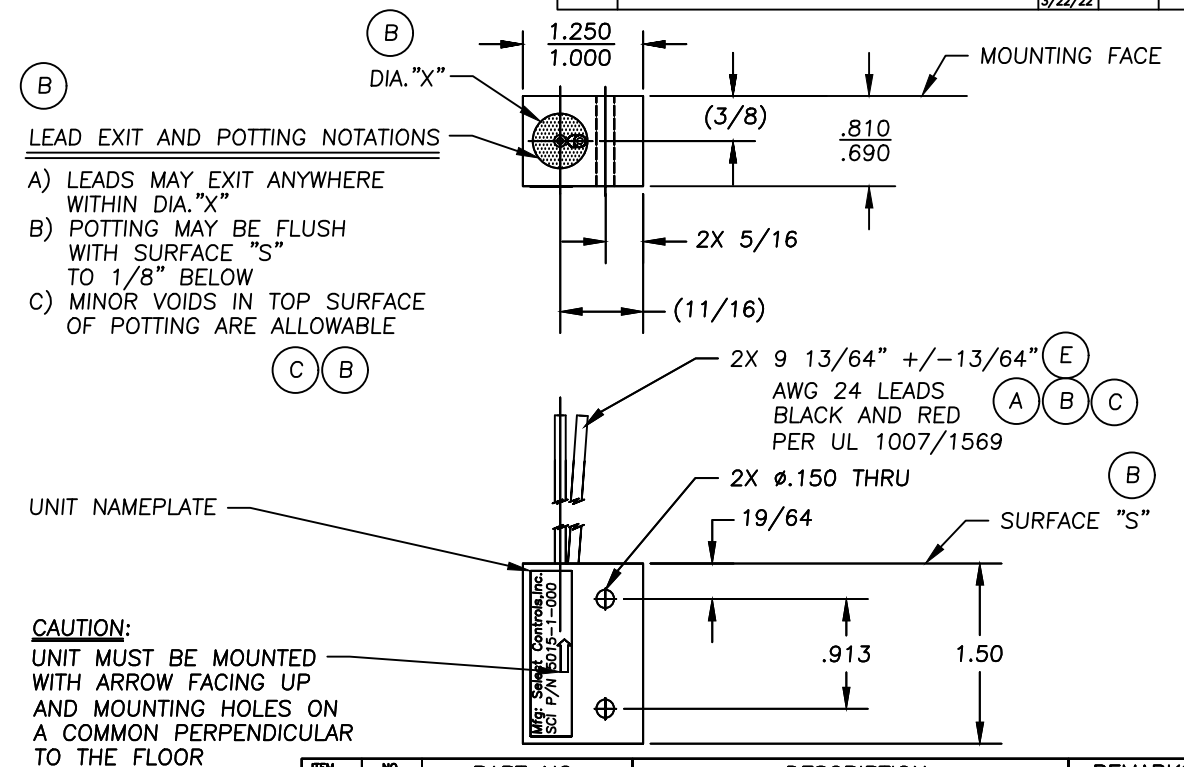
**NOTES:**

1. SWITCH: PLANAR TILT, OMNIDIRECTIONAL, NORMALLY OPEN, AUTOMATICALLY RESETTABLE
2. WEIGHT: 1.5 OUNCES MAX.
3. CONTACTS: SPST, NORMALLY OPEN.
4. CONTACT RESISTANCE: 1000 OHMS MAXIMUM.
5. CONTACT RATING: 250 MA AT 24 VDC.
6. INSULATION RESISTANCE: 30 MEGOHMS MINIMUM AT 500 VDC.
7. OPERATING CHARACTERISTICS:
  - a) MUST CLOSE WHEN TILTED PAST  $13^{\circ} \pm 4^{\circ}$  FROM VERTICAL POSITION.
  - a) MUST OPEN WHEN RETURNED TO VERTICAL POSITION.
8. OPERATING TEMPERATURE RANGE:
 

-65 DEGREES F TO +220 DEGREES F.
9. SWITCH SEAL: HERMETIC.

5015-1-000

REVISIONS				
ALT	DESCRIPTION	BY	CHK	ENG
A	SEE ECN5015-1-000A	AHN 2/20/03		
B	SEE ECN5015-1-000B	AHN 5/13/03		
C	SEE ECN5015-1-000C	AHN 1/26/10		
D	SEE ECN5015-1-000D	AHN 6/22/16		
E	SEE ECN5015-1-000E	BJE 3/22/22		



**LEAD EXIT AND POTTING NOTATIONS**

- A) LEADS MAY EXIT ANYWHERE WITHIN DIA. "X"
- B) POTTING MAY BE FLUSH WITH SURFACE "S" TO 1/8" BELOW
- C) MINOR VOIDS IN TOP SURFACE OF POTTING ARE ALLOWABLE

**CAUTION:**  
UNIT MUST BE MOUNTED WITH ARROW FACING UP AND MOUNTING HOLES ON A COMMON PERPENDICULAR TO THE FLOOR

ITEM NO.	NO. REQ'D	PART NO.	DESCRIPTION	REMARKS												
<b>BILL OF MATERIAL</b>																
TITLE TILT SWITCH, 13° NORMALLY OPEN			45-3 KNICKERBOCKER AVE. BOHEMIA, N.Y. 11716													
MATERIAL		NO. REQ'D		SCALE: 1:1												
FINISH		NO. REQ'D		WEIGHT: NOTED												
DO NOT SCALE DRAWING REMOVE BURRS, BREAK SHARP EDGES. TOLERANCE UNLESS SPECIFIED: FRACT: ±1/64 ANGLE: ±0°30" MACH FINISH: 125/ RMS DEC: .00 ±.010 DEC: .000 ±.005		<table border="1"> <tr> <td>DESIGN CHECKED</td> <td>AHN</td> <td>DATE</td> <td>2/11/03</td> </tr> <tr> <td>ENGINEER</td> <td></td> <td></td> <td></td> </tr> <tr> <td>APPROVED</td> <td></td> <td></td> <td></td> </tr> </table>		DESIGN CHECKED	AHN	DATE	2/11/03	ENGINEER				APPROVED				DRAWING NO. 5015-1-000 SHEET 1 OF 1
DESIGN CHECKED	AHN	DATE	2/11/03													
ENGINEER																
APPROVED																
				REV E												