

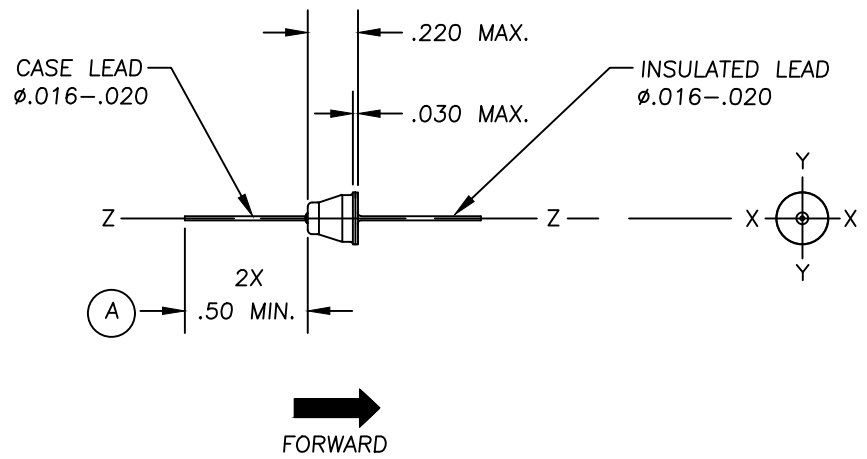
THIS DOCUMENT IS THE PROPERTY OF SELECT CONTROLS INCORPORATED AND IS CONVEYED WITH THE EXPRESS CONDITION THAT IT AND THE INFORMATION CONTAINED IN IT ARE NOT TO BE USED, DISCLOSED, OR REPRODUCED IN WHOLE OR IN PART, FOR ANY PURPOSE WITHOUT THE EXPRESS WRITTEN CONSENT OF SELECT CONTROLS INCORPORATED; AND THAT NO RIGHT IS GRANTED TO DISCLOSE OR SO USE ANY INFORMATION CONTAINED IN SAID DOCUMENT.

NOTES:

1. WEIGHT: 0.5 GRAMS MAXIMUM.
2. CONTACTS: SPST, MOMENTARY, NORMALLY OPEN, CASE GROUND.
3. OPEN CIRCUIT RESISTANCE: 300 MEGOHMS MINIMUM AT 500 VDC.
4. CLOSED CIRCUIT RESISTANCE: 10 OHMS MAXIMUM AT 100 MILLIAMPERES.
5. CONTACT RATING: 2 AMPERES AT 28 VDC RESISTIVE LOAD, 5 SECOND PULSE.
6. OPERATING CHARACTERISTICS: (CENTRIFUGE STATIC ACCELERATION)
 - A.) CONTACTS SHALL NOT CLOSE AT ANY ACCELERATION LESS THAN 40 g'S APPLIED IN ANY DIRECTION.
 - B.) CONTACTS SHALL BE CLOSED AT STEADY ACCELERATIONS TO 400 g'S APPLIED IN ANY DIRECTION IN THE X-Y PLANE OR IN THE Z AXIS IMPACT SENSITIVE (FORWARD) DIRECTION.
 - C.) SETBACK IN THE FORWARD DIRECTION WILL NOT CAUSE CONTACTS TO CLOSE.
7. TEMPERATURE RANGES:
 - A.) OPERATING: -65°F TO +185°F.
 - B.) NON-OPERATING: -65°F TO +221°F.
8. SWITCH IS HERMETICALLY SEALED: HELIUM LEAK RATE SHALL NOT EXCEED 1×10^{-6} SCCS He AT ONE(1) ATMOSPHERE.
9. CASE LEAD AND HEADER WELD STRENGTH: 3 POUNDS MINIMUM AXIAL PULL WITHOUT DAMAGE.
10. SOLDERABILITY PER MIL-STD-202, METHOD 208 LESS AGING.
11. DESIGN STORAGE LIFE: 10 YEARS MINIMUM.
12. LEAD FINISHES:
 - INSULATED LEAD- GOLD
 - CASE LEAD- TIN/LEAD

3123-1-000

REVISIONS				
ALT	DESCRIPTION	BY	CHK	ENG
A	SEE ECN 3123-1-000A	AHN 9/20/02		



ITEM NO.	NO. REQ'D	PART NO.	DESCRIPTION	REMARKS	
BILL OF MATERIAL					
MATERIAL		TITLE		45-3 KNICKERBOCKER AVE. BOHEMIA, N.Y. 11716	
FINISH		IMPACT SWITCH OMNI-DIRECTIONAL NORMALLY OPEN			
DO NOT SCALE DRAWING REMOVE BURRS, BREAK SHARP EDGES. TOLERANCE UNLESS SPECIFIED: FRACT: ±1/32 ANGLE ±0°30" MACH FINISH: 125/√ DEC: .00 ±.010 RMS DEC: .000 ±.005		NO. REQ'D	N/A	SCALE: 2:1	DRAWN: AHN CHECKED: ENGINEER: APPROVED: APPROVED:
		NO. REQ'D	N/A	WEIGHT:	DATE: 4/15/02
				NOTED	DRAWING NO. 3123-1-000
					REV A
					DATE SHEET 1 OF 1