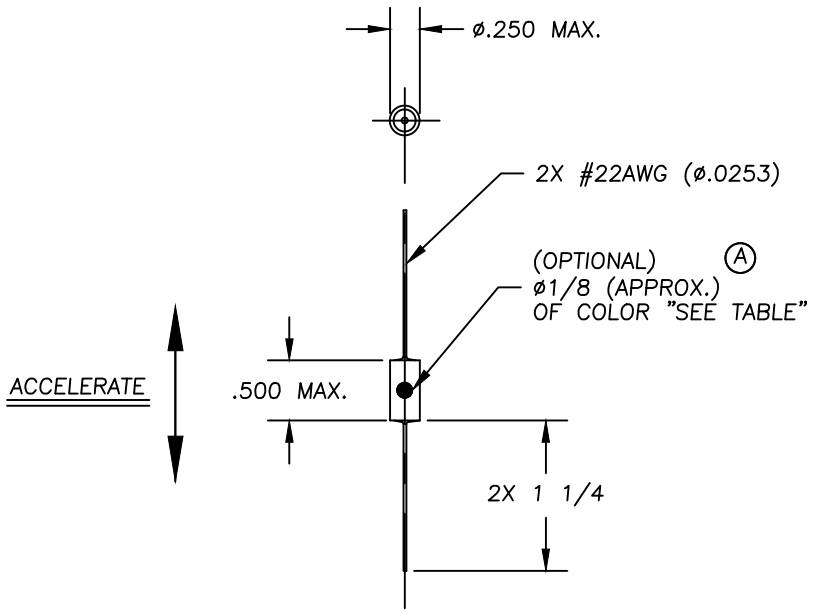


THIS DOCUMENT IS THE PROPERTY OF SELECT CONTROLS INCORPORATED AND IS CONVEYED WITH THE EXPRESS CONDITION THAT IT AND THE INFORMATION CONTAINED IN IT ARE NOT TO BE USED, DISCLOSED, OR REPRODUCED IN WHOLE OR IN PART, FOR ANY PURPOSE WITHOUT THE EXPRESS WRITTEN CONSENT OF SELECT CONTROLS INCORPORATED; AND THAT NO RIGHT IS GRANTED TO DISCLOSE OR SO USE ANY INFORMATION CONTAINED IN SAID DOCUMENT.

2036--TABLE--000

A

REVISIONS				
ALT	DESCRIPTION	BY	CHK	ENG
A	SEE ECN 2036--SEE TABLE--000	AHN 8/28/2019		



SELECT CONTROLS P/N	RANGE g'S	COLOR CODE
2036-1-000	1000-5000	RED
(A) 2036-3-000	8000-10000	BLUE
2036-4-000	10000-15000	GREEN
2036-5-000	12000-20000	YELLOW

NOTES:

- CONTACT RATING- 100MA @ 24VDC
- CONTACT RESISTANCE-
  - A) OPEN: 10 MEGOHMS MIN.
  - B) CLOSED: 10 OHMS MAX.
- OPERATION- CONTACTS SHALL OPEN AND REMAIN OPEN AFTER BEING SUBJECTED TO AN ACCELERATION OF "SEE TABLE" FOR 7MS IN ACCELERATION DIRECTION.

ITEM NO.	NO. REQ'D	PART NO.	DESCRIPTION	REMARKS						
BILL OF MATERIAL										
MATERIAL		TITLE		45-3 KNICKERBOCKER AVE. BOHEMIA, N.Y. 11716						
FINISH		ACCELERATION SWITCH, NORMALLY CLOSED, LATCHING								
DO NOT SCALE DRAWING REMOVE BURRS, BREAK SHARP EDGES. TOLERANCE UNLESS SPECIFIED: FRACT: ±1/64 ANGLE ±0°30' MACH FINISH: 125/ DEC: .00 ±.010 RMS DEC: .000 ±.005		NO. REQ'D	N/A	NO. REQ'D	N/A	SCALE: 1:1	DRAWN: AHN CHECKED: ENGINEER: APPROVED:	8/27/04	DRAWING NO.	REV
						WEIGHT:	APPROVED	DATE	SHEET 1 OF 1	2036--SEE TABLE--000 A